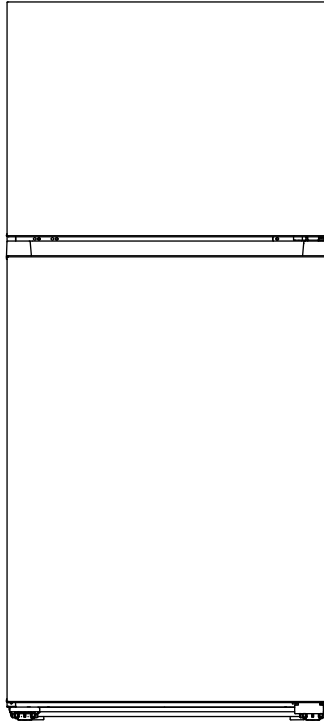


Model/Modelo: PRN20050AW
PRN20060AS
PRN20070AB

PREMIUM LEVELLA®

20.5 CU.FT. REFRIGERATOR
REFRIGERADOR DE 20.5 CU.FT.



USER MANUAL / MANUAL DE INSTRUCCIONES

Use and care manual. Important safeguards. This product is for domestic use only.

Manual de uso y cuidado. Precauciones importantes. Este producto es para uso doméstico únicamente.

REFRIGERATOR SAFETY

YOUR SAFETY AND THE SAFETY OF OTHERS ARE VERY IMPORTANT

To prevent injury to the user or other people and property damage, the instructions shown here must be followed. Incorrect operation due to ignoring of instructions may cause harm or damage, including death. The level of risk is shown by the following indications.

1. Do not store explosive substances such as aerosol cans with a flammable propellant in this appliance.
2. **WARNING:** Risk of child entrapment. Before you throw away your old refrigerator or freezer:
 - Take off the doors
 - Leave the shelves in place so that children may not easily climb inside.
3. This appliance is intended to be used in household and similar applications such as
 - staff kitchen areas in shops, offices and other working environments;
 - farm houses and by clients in hotels, motels and other residential type environments;
 - bed and breakfast type environments;
 - catering and similar non-retail applications.
4. - **WARNING:** Keep ventilation openings, in the appliance enclosure or in the built-in structure, clear of obstruction.
 - **WARNING:** Do not use mechanical devices or other means to accelerate the defrosting process, other than those recommended by the manufacturer.
 - **WARNING:** Do not damage the refrigerant circuit.
 - **WARNING:** Do not use electrical appliances inside the food storage compartments of the appliance, unless they are of the type recommended by the manufacturer.
5. The incorporated ice-makers are to be installed only by the manufacturer or its service agent.

WARNING: the refrigerator must be disconnected from the source of electrical supply before attempting the installation
6. Any replacement or maintenance of the LED lamps is intended to be made by the manufacturer, its service agent or similar qualified person.
7. **WARNING:** Connect to potable water supply only.
8. The new hose-sets supplied with the appliance are to be used and that old hose-sets should not be reused.

REFRIGERATOR SAFETY

YOUR SAFETY AND THE SAFETY OF OTHERS ARE VERY IMPORTANT

To prevent injury to the user or other people and property damage, the instructions shown here must be followed. Incorrect operation due to ignoring of instructions may cause harm or damage, including death. The level of risk is shown by the following indications.



This symbol indicates the possibility of death or serious injury.



This symbol indicates the possibility of injury or damage to property.



This symbol indicates the possibility of dangerous voltage constituting a risk of electrical shock is present that could result in death or serious injury.

IMPORTANT SAFETY INSTRUCTIONS



GENERAL APPLIANCE SAFETY

- Read all safety warnings, instructions, illustrations and specifications provided with this appliance. Failure to follow all instructions listed below may result in electric shock, fire and/or serious injury.
- Save all warnings and instructions for future reference.

ELECTRICAL SAFETY

- Plug into a grounded 3 prong outfit.
- Do not remove ground plug.
- Do not use an adapter.
- Unplug the power cord by holding the plug, never by pulling the cord.
- DO NOT turn the appliance on or off by plugging or unplugging the power cord.
- DO NOT use an extension cord.
- Unplug the refrigerator before cleaning or defrosting.

Grounding requirement

- This refrigerator must be grounded. This refrigerator is equipped with a grounding plug. The plug must be inserted into an outlet that is properly installed and grounded.
- Improper use of the grounding plug can result in a risk of electric shock. Consult a qualified electrician or service person if the grounding instructions are not completely understood or if doubt exists as to whether the refrigerator is properly grounded.

LOCATION SAFETY

- This refrigerator is intended to be used in household and similar environments.
- Install in accordance with the manufacturer's instructions.
- This refrigerator should not be recessed or built-in an enclosed cabinet. It is designed for freestanding installation only.
WARNING - Keep ventilation openings, in the refrigerator, clear of obstruction.
- DO NOT install near any heat sources, such as radiators, heat registers, stoves, other cooking appliances or in direct sunlight.
- DO NOT store or use gasoline or any flammable liquids inside or in the vicinity of this refrigerator.

USE AND CARE SAFETY

- Flammable refrigerant used. Follow handling instructions carefully.
Risk of fire or explosion due to puncture of refrigerant tubing.
- Flammable refrigerant used. Do not use mechanical devices to defrost freezer. Do not puncture refrigerant tubing.
- This appliance is not intended for use by persons (including children) with reduced physical, sensory or mental capabilities, or lack of experience and knowledge, unless they have been given supervision or instruction concerning use of the appliance by a person responsible for their safety.
- Keep key away from children.
- Children should be supervised to ensure that they DO NOT play with the appliance.
- DO NOT touch the interior of the freezer with wet hands. This could result in frostbite.
- Clean only with a damp cloth. Use nonflammable cleaner.

SERVICE SAFETY

- Disconnect power before servicing.
- Flammable refrigerant used. To be repaired only by trained service personnel. Do NOT puncture refrigerant tubing.

- Refer all servicing to qualified service personnel. Do not repair or replace any part of this appliance unless specifically recommended in this manual. Servicing is required when the appliance has been damaged in any way, such as the power supply cord or plug is damaged, liquid has been spilled or objects have fallen into the appliance, the appliance has been exposed to rain or moisture, does not operate normally, or has been dropped.
- If the supply cord is damaged, it must be replaced by the manufacturer, its service agent, or similarly qualified person, in order to avoid a hazard.
- If component part is damaged, it must be replaced by the manufacturer, its service agent or similarly qualified persons in order to avoid a hazard.
- Replace all parts and panels before operating.

SAVE THESE INSTRUCTIONS

THIS APPLIANCE IS FOR HOUSEHOLD USE ONLY

State of California Proposition 65 Warnings:



WARNING:Cancer and Reproductive Harm

-www.P65Warnings.ca.gov

PROPER DISPOSAL



WARNING

Suffocation Hazard

Before you throw away your old refrigerator:

- Remove the door or lid so that children cannot hide or get trapped inside your old appliance.
- Leave any shelves in place so that children may not easily climb inside.
- Failure to follow these instructions can result in death or brain damage.

IMPORTANT: Flammable gas and refrigerant used. It is the consumer's responsibility to comply with Federal and Local regulations when disposing of this product. Refrigerants must be evacuated by a licensed, EPA certified refrigerant technician in accordance with established procedures.

OPERATION REQUIREMENTS

LOCATION REQUIREMENTS

⚠ WARNING

Explosion and Fire Hazard

- Keep flammable materials and vapors, such as gasoline, away from appliance.
- Failure to do so, can result in death, explosion or fire.

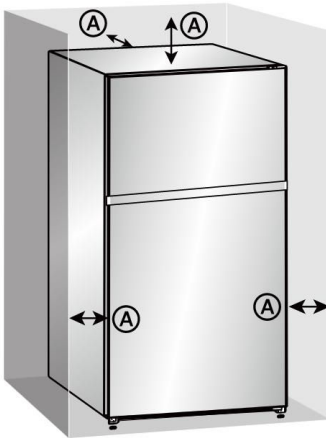
This refrigerator is designed to be freestanding only, and should not be recessed or built-in.

- Place your refrigerator on a floor that is level and strong enough to support the refrigerator when it is fully loaded.
- Place your refrigerator where there is access to the required electrical connection. See “Electrical Requirements.”
- Locate the refrigerator away from direct sunlight and sources of heat, such as a stove, heater or radiator.

NOTES:

- Direct sunlight may affect the acrylic coating and heat sources may increase electrical consumption.
- Extremely cold temperatures may also prevent the refrigerator from performing properly.
- Avoid locating the refrigerator in areas with high humidity.
- Adequate air circulation is required for efficient operation. Maintain the recommended clearance to ensure adequate air circulation.

RECOMMENDED CLEARANCE



3" (7.6 cm)
Clearance at the
top, back and
both sides of
the refrigerator

NOTE: If you place the refrigerator next to a fixed wall, allow sufficient space on the hinge-side for the door to swing open.

ELECTRICAL REQUIREMENTS

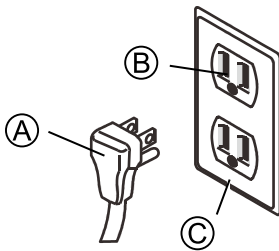
WARNING

Electrical Shock Hazard

- Plug into a grounded 3 prong outlet.
- Do not remove the ground prong from the power cord plug.
- Do not use an adapter.
- Do not use an extension cord.
- Failure to do so can result in death, fire or electrical shock.

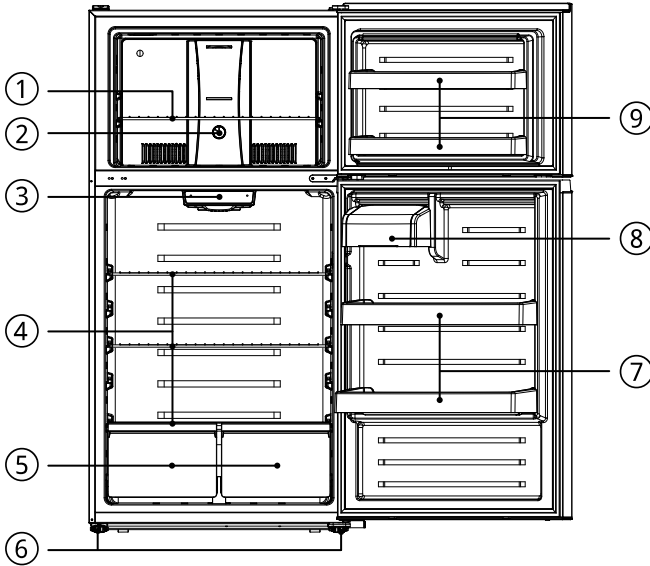
IMPORTANT: A 115 Volt, 60 Hz., AC only, 15-amp fused, grounded electrical supply is required.

- Use an electrical outlet that accepts the grounding prong.
NOTE: The power cord is equipped with a 3-prong (grounding) plug which mates with a standard 3-prong (grounding) electrical outlet.
- We recommend that the refrigerator be plugged into an electrical circuit serving ONLY this appliance.
- Use an electrical outlet that cannot be turned off with a switch or pullchain.
- DO NOT use an extension cord.



- (A) 3-prong plug
- (B) 3-prong receptacle
- (C) Receptacle box cover

PARTS AND FEATURES



- ① Shelves (1-wire shelf)
- ② Freezer control
- ③ Refrigerator control
- ④ Shelves (1-wire shelf
2-glass shelf)
- ⑤ Crisper drawers (2)
- ⑥ Leveling feet (2-bottom front)
Wheels (2-bottom front, 2-bottom
back)
- ⑦ Door bins (2)
- ⑧ Dairy bin
- ⑨ Door bins (2)

SPECIFICATIONS	PRN20050AW PRN20060AS PRN20070AB
Dimension (WxDxH)	32.7*30.75*66.38 (830*781*1686cm)
Weight	176lbs.(80kg)
Power requirements	115 V ~ 60 Hz
Power cord length	66.9" (170 cm)

INSTALLATION

UNPACK

WARNING

Fire or Explosion Hazard

- Do not puncture refrigerant tubing.
- Follow handling instructions carefully.
- Flammable refrigerant used.
- Failure to do so can result in death, explosion or fire.

IMPORTANT: Remove ALL exterior and interior packing materials including the foam packing between the exterior condenser and the refrigerator cabinet.

MOVE TO FINAL LOCATION

WARNING

Fire or Explosion Hazard

- Do not puncture refrigerant tubing.
- Follow handling instructions carefully.
- Flammable refrigerant used.
- Failure to do so can result in death, explosion or fire.

IMPORTANT:

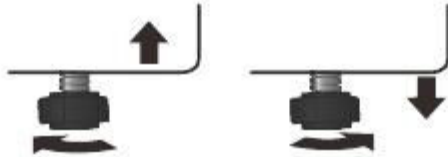
- If the refrigerator has been in a horizontal position for any period of time, wait 24 hours to allow the refrigerant to settle before plugging in the refrigerator.
- When moving the refrigerator, DO NOT tilt it beyond 45° from upright.
NOTE: Tilting the refrigerator more than 45° could damage the compressor and the sealed system.

LEVEL REFRIGERATOR

IMPORTANT: Level the refrigerator for proper operation and to avoid cooling, frost and moisture problems that can occur when the door does not close properly.

1. Move the refrigerator to its final location. See “Move to Final Location.”
2. Place a carpenter's level on the top of the refrigerator cabinet.
3. Adjust the two leveling feet, (one foot located at each of the two front corners of the refrigerator cabinet) until the refrigerator is level.





NOTE: The leveling feet are easier to adjust if you have someone push against the top front of the refrigerator to take some weight off the feet.








To Raise - Turn the leveling feet clockwise.

To Lower - Turn the leveling feet counterclockwise.

REVERSE THE DOOR SWING

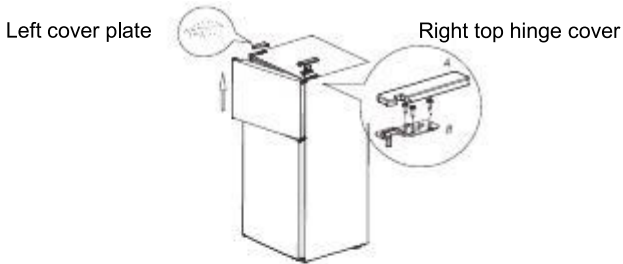
List of tools to be provided by the user			
	Phillips-head Screwdriver		Putty knife Flat-head Screwdriver
	$\frac{1}{8}$ " socket and ratchet		Masking tape

Parts included with the hinge kit			
 Top left hinge (1)	 Left top hinge cover	 Sticker	
 Upper door self- locking block (1)	 Left door open stopper		

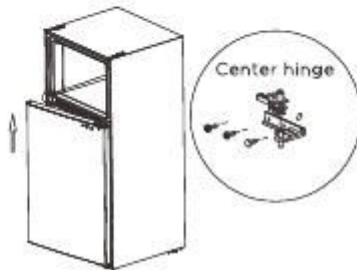
1. Unplug your refrigerator and remove all food from the door shelves. Remove all food from the inner door liner. Tape the freezer door in place with masking tape.



2. Remove the left cover plate and the right top hinge cover, then unscrew screws and remove the right top hinge. Keep the screws to reuse.



3. Lift the freezer door up and away from your refrigerator.
4. Unscrew screws of middle hinge, remove the hinge, then lift the refrigerator door up and away from your refrigerator. Save the screws to reuse.

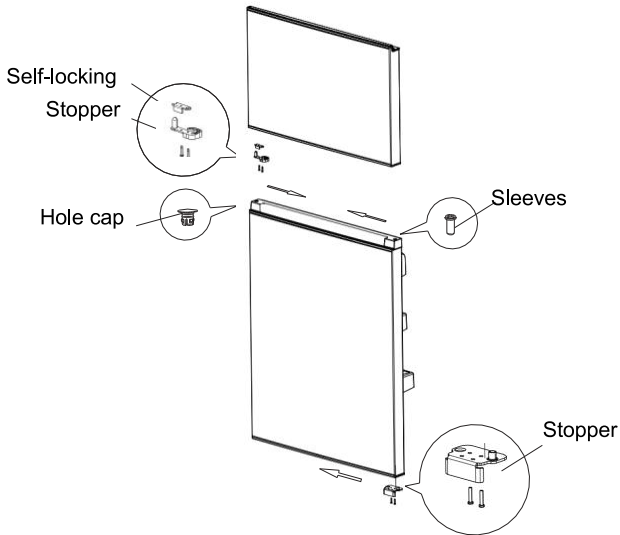


5. Unscrew screws of the bottom hinge, then remove the bottom hinge from the bottom right side of the refrigerator.
6. Unscrew the hinge shaft from the right side of the bottom hinge and move it to the left side, then secure the bottom hinge to the bottom left side of the refrigerator, using the screws you removed previously.



7. Remove the sleeves from the top right of doors and hole cap from top left of doors, and assemble them on the opposite sides.

8. Remove the refrigerator door stopper and install it on the other side of the door. Remove the freezer door self-locking block and stopper save them to reuse take out the left self-locking block and stopper from the accessory bag in the refrigerator and installed on the left of door.

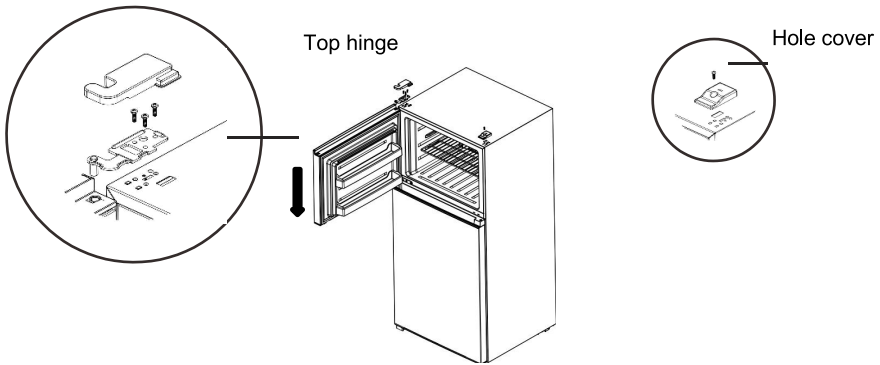


9. Put down the refrigerator door bottom hinge vertically, take out the middle hinge of the other side from the accessory bag then assemble the middle hinge on.

Attach the left center hinge



10. Put down the freezer door on the middle hinge vertically, then take out the top hinge and cover of other side from accessory bag, assemble top hinge, hinge cover and hole cover.



(The picture above is only for reference. The actual configuration will depend on the physical product.)

ICE MAKER INSTALLATION INSTRUCTIONS (OPTIONAL)

The refrigerator is ready for ice maker installation, if you need ice maker, optional icemaker kit model “FDI101S-8M” is available from your retailer.

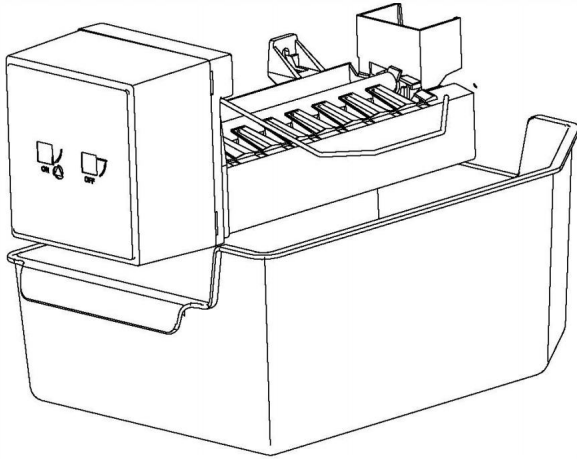
Tools Required:

- 1/4" copper supply line with shut off valve
- 1/4" brass compression nut and ferrule
- Minimum/Maximum inlet water pressure, 138/827 kPa (20/120 PSIG). Connect to potable water supply only.

The copper tubing and shut off valve are available in a kit from your local hardware or plumbing supply store. Coil enough tubing at the back of the unit to allow movement for cleaning.

⚠ WARNING

Unplug the refrigerator. To eliminate the danger of electric shock during installation, you must unplug the refrigerator from its electrical outlet.



Note:

- When the ice maker dumps ice into the ice box, any sounds are part of normal operation.
- If ice is not dispensed for a long period of time, it may clump in the Ice bin. If this occurs, please remove all the ice and empty the bin.
- In case of prolonged absence and no ice maker use, close the water valve to prevent leaks. It is recommended that the first several ice charges be discarded to ensure the highest quality of ice. Do not store cans or containers that will burst when frozen.

CAUTION

Do not allow your children to touch the ice maker. This could cause injury.

BEFORE USE

WAITING PERIOD

- Before plugging the refrigerator into a grounded 3-prong electrical outlet, allow it to stand upright for approximately 2 hours.

NOTE: This reduces the possibility of a malfunction in the cooling system from improper handling during transportation.

CLEANING

1. Wash the refrigerator interior using a soft cloth dampened with a baking soda solution (2 tablespoons baking soda mixed with 1 quart of warm water).
2. Using a soft cloth, thoroughly dry all surfaces.

REFRIGERATOR USE

GENERAL

- The storage life of frozen foods varies and the recommended storage time should not be exceeded.



WARNING

Electrical Shock Hazard

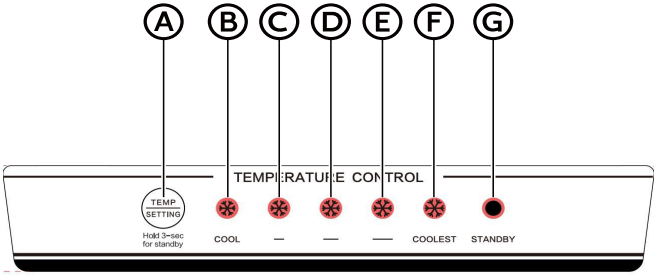
- Plug into a grounded 3 prong outlet.
- Do not remove the ground prong from the power cord plug.
- Do not use an adapter.
- Do not use an extension cord.
- Failure to do so can result in death, fire or electrical shock.

1. Plug in your refrigerator. Wait for 30 minutes, and then open the refrigerator door to determine if the refrigerator is working properly.
2. Place frozen food into the refrigerator as quickly as possible after purchase. If there are instructions on the package, carefully follow these instructions regarding storage times.

ENERGY SAVING TIPS

- Allow hot foods to cool to room temperature before placing them in the refrigerator. Foods that freeze too slowly may lose quality or spoil.
- Overloading the refrigerator forces the compressor to run longer.
- Wrap foods properly and wipe containers dry before placing them in the refrigerator. This cuts down on frost build-up inside the refrigerator.
- Do not line refrigerator storage shelves with aluminum foil, wax paper or paper toweling. Liners interfere with cold air circulation, making the refrigerator less efficient.
- Organize and label food to reduce door openings and extended searches. Remove as many items as needed at one time, and then close the door as soon as possible.
- Do NOT add a large amount of unfrozen food to the refrigerator at one time. This will lower the cooling efficiency of the refrigerator.

CONTROLS



- Ⓐ Setting button
- Ⓑ LED1 COOL indicator
- Ⓒ LED2 indicator
- Ⓓ LED3 indicator
- Ⓔ LED4 indicator
- Ⓕ LED5 COOLEST indicator
- Ⓖ LED6 Standby mode

DISPLAY

Once initially powered on, the display screen (including the key light) is on full display for 3 seconds.

and then the refrigerator default setting is medium, and the LED 3 indicator will be illuminated.

Normal operation display.

In case of a failure, the appropriate LED light show in combination the failure code (in recycling display).

In case of no failures, the actual operation position of refrigerator will be on display.

TEMPERATURE SETTING

Each time the temperature setting  is pressed once, the temperature setting changes one time.



After the temperature setting has been completed, the refrigerator will run according to the set value after 25s.

From left to right, the temperature is lower.

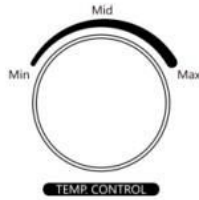
The order of coldness settings is as follows:



STANDBY MODE

To enter standby mode, press the setting  for 3 seconds when the refrigerator is running. In standby mode, the compressor will not operate and the standby indicator light will be illuminated. To resume normal operation, just press the setting  momentarily.

SETTING THE FREEZER TEMPERATURE



Turn the controls to adjust the freezer temperature.

Place frozen food into the freezer as quickly as possible after purchase. Pay attention to the storage time on the food packaging instructions. The storage life of frozen foods varies and the recommended storage time should not be exceeded.

REFRIGERATOR CARE

Your refrigerator is designed for year-round use and requires minimal cleaning and maintenance. To keep your refrigerator running efficiently and odor free, we recommend that you clean the refrigerator regularly

CLEANING



WARNING

Electrical Shock Hazard

- Unplug your appliance or disconnect power before cleaning.
- Failure to do so can result in death, electric shock or personal injury.



WARNING

Explosion Hazard

- Use nonflammable cleaner.
- Failure to do so can result in death, explosion or fire.

IMPORTANT: To prevent damage to the finish, DO NOT use gasoline, benzine, thinner or other solvents, and DO NOT use abrasive cleaners.

1. Unplug the refrigerator from the electrical outlet.
2. Remove all food.
3. Remove and wash the shelves with a mild detergent solution.
4. Wash the refrigerator interior using a soft cloth dampened with a baking soda solution (2 tablespoons baking soda mixed with 1 quart of warm water).
5. Clean the gasket around the door. Gently wipe the gasket using a soft cloth dampened with a mild detergent solution.

NOTE: Gaskets must be kept clean and pliable to assure a proper seal.

6. Using a soft cloth, thoroughly dry all surfaces.
7. Plug in or reconnect power

MOVING

IMPORTANT: When moving your refrigerator, DO NOT tilt it beyond 45° from upright.

1. Unplug your refrigerator from the wall outlet.
2. Remove all food.
3. Securely tape down all loose items inside your refrigerator.
4. Tape the door shut.

STORAGE

IMPORTANT: Do not store refrigerator in a location that is accessible to children.

1. Unplug your refrigerator from the electrical outlet.
2. Remove all food.
3. Clean the refrigerator.
4. Leave the door open slightly to avoid possible formation of condensation, mold or odor.

TROUBLESHOOTING

IMPORTANT: DO NOT try to repair your refrigerator yourself. Doing so invalidates the warranty

GENERAL

PROBLEM	PROBLEM CAUSE	SOLUTION
The refrigerator does not operate	The refrigerator is unplugged. The fuse on the circuit is blown or the circuit breaker is tripped. Power failure.	Make sure that the refrigerator power cord is fully plugged into the electrical outlet. Check the house fuse / circuit breaker box and replace the fuse or reset the circuit breaker. If a power failure occurs, the refrigerator turns off. Wait until the power is restored.
The refrigerator door does not close completely	Food packages are interfering with the door. The door gaskets are dirty. The refrigerator may not be level.	Move or remove some food items. Clean the door gaskets. Level the refrigerator.

PROBLEM	POSSIBLE CAUSE	SOLUTION
<p>Food in the refrigerator is not cold</p>	<p>The door has been opened too often or was not closed properly.</p> <p>A large amount of food was recently added.</p> <p>The door is not closed completely.</p> <p>The refrigerator has been disconnected for a period of time.</p> <p>The temperature control is set too warm.</p>	<p>Make sure that the door is closed properly.</p> <p>Allow time for the recently added food to cool, and then check again.</p> <p>Check the door gasket and food distribution, and make sure that the door closes completely.</p> <p>Allow 4 hours for the refrigerator to cool completely before adding food.</p> <p>Set the temperature control to a colder setting.</p>
<p>The refrigerator makes unusual noises or vibrations</p>	<p>The refrigerator may not be level.</p> <p>The refrigerator cabinet is touching a wall.</p> <p>Metal parts undergo expansion and contraction.</p> <p>Refrigerant is circulating throughout the system.</p>	<p>Adjust the leveling feet located on the front corners of the refrigerator until the refrigerator is level.</p> <p>Move the refrigerator away from the wall.</p> <p>This is normal.</p> <p>This is normal.</p>
<p>Moisture is building up in the interior of the refrigerator</p>	<p>The door has been opened too often or was not closed properly.</p> <p>The refrigerator is located in a humid area.</p> <p>The weather is hot and humid.</p>	<p>Make sure that the door is closed properly.</p> <p>Move the refrigerator to a drier location.</p> <p>This is normal.</p>

PROBLEM	POSSIBLE CAUSE	SOLUTION
The compressor turns on and off frequently.	<p>The room temperature is hotter than normal.</p> <p>A large amount of food was recently added.</p> <p>The door is not closed completely or was opened too often.</p> <p>The refrigerator has been disconnected for a period of time.</p> <p>The temperature control was not set correctly.</p>	<p>This is normal.</p> <p>Allow time for the recently added food to cool, and then check again.</p> <p>Check the door gasket and food distribution to make sure the door will close completely.</p> <p>Allow 4 hours for the refrigerator to cool completely before adding food.</p> <p>Set the temperature control to the correct setting.</p>
Refrigerator has an odor	<p>Refrigerator needs cleaning.</p> <p>Improperly wrapped food is giving a fan odor.</p>	<p>Clean the refrigerator. See, "Cleaning."</p> <p>Wrap food tightly or seal before storing it in the refrigerator.</p>

ERROR CODES

Fault Code	Fault Description
LED1 indicator and LED2 indicator	Refrigerator temperature sensor circuit
LED1 indicator and LED3 indicator	Freezer defrost sensor
LED1 indicator and LED4 indicator	Ambient temperature sensor

SEGURIDAD DEL REFRIGERADOR

SU SEGURIDAD Y LA SEGURIDAD DE LOS DEMÁS SON MUY IMPORTANTE

Para evitar lesiones al usuario u otras personas y daños a la propiedad, se deben seguir las instrucciones que se muestran aquí. La operación incorrecta debido a ignorar las instrucciones puede causar lesiones o daños, incluso la muerte.

El nivel de riesgo se muestra mediante las siguientes indicaciones.
indicaciones.

1. No almacene sustancias explosivas como latas de aerosol con un propulsor inflamable en este aparato.

2. **ADVERTENCIA:** Riesgo de atrapamiento de niños. Antes de desechar su viejo refrigerador o congelador:

-Quitar las puertas

-Deje los estantes en su lugar para que los niños no puedan subirse fácilmente al interior.

3. Este electrodoméstico está diseñado para uso doméstico y aplicaciones similares, como

- áreas de cocina para el personal en tiendas, oficinas y otros entornos de trabajo;

- casas de campo y por clientes en hoteles, moteles y otros entornos de tipo residencial;

- ambientes tipo bed and breakfast;

- catering y aplicaciones no minoristas similares.

4. - **ADVERTENCIA:** Mantenga las aberturas de ventilación, en el recinto del aparato o en la estructura empotrada, libres de obstrucciones.

- **ATENCIÓN:** No utilice dispositivos mecánicos u otros medios para acelerar el proceso de descongelación, distintos de los recomendados por el fabricante.

- **ATENCIÓN:** No dañar el circuito frigorífico.

- **ADVERTENCIA:** No utilice aparatos eléctricos dentro de los compartimentos de conservación de alimentos del aparato, a menos que sean del tipo recomendado por el fabricante.

5. Las máquinas de hielo incorporadas deben ser instaladas únicamente por el fabricante o su agente de servicio.

ADVERTENCIA: el refrigerador debe estar desconectado de la fuente de suministro eléctrico antes de intentar la instalación.

6. Cualquier reemplazo o mantenimiento de las lámparas LED está destinado a ser realizado por el fabricante, su agente de servicio o una persona calificada similar.

7. **ADVERTENCIA:** Conecte únicamente al suministro de agua potable.

8. Deben utilizarse los juegos de mangueras nuevos suministrados con el aparato y los juegos de mangueras viejos no deben reutilizarse.

SEGURIDAD DEL REFRIGERADOR

SU SEGURIDAD Y LA DE LOS DEMÁS SON MUY IMPORTANTES

Para evitar lesiones al usuario u otras personas y daños a la propiedad, se deben seguir las instrucciones que se muestran aquí. La operación incorrecta debido a ignorar las instrucciones puede causar lesiones o daños, incluso la muerte. El nivel de riesgo se muestra mediante las siguientes indicaciones.



Este símbolo indica la posibilidad de muerte o lesiones graves.



Este símbolo indica la posibilidad de lesiones o daños a la propiedad.



Este símbolo indica la posibilidad de que exista un voltaje peligroso que constituya un riesgo de descarga eléctrica que podría provocar la muerte o lesiones graves.

INSTRUCCIONES DE SEGURIDAD IMPORTANTES

ADVERTENCIA

SEGURIDAD GENERAL DE ELECTRODOMÉSTICOS

Lea todas las advertencias de seguridad, instrucciones, ilustraciones y especificaciones proporcionadas con este aparato. Si no se siguen todas las instrucciones enumeradas a continuación, se pueden producir descargas eléctricas, incendios y/o lesiones graves.

Guarde todas las advertencias e instrucciones para referencia futura.

SEGURIDAD ELECTRICA

Conéctelo a un equipo de 3 clavijas con conexión a tierra.

No quite el enchufe de tierra.

No use un adaptador.

Desenchufe el cable de alimentación sujetando el enchufe, nunca tirando del cable.

NO encienda ni apague el aparato enchufando o desenchufando el cable de alimentación.

No utilice un cable de extensión.

Desenchufe el refrigerador antes de limpiarlo o descongelarlo.

Requisito de conexión a tierra

Este refrigerador debe estar conectado a tierra. Este refrigerador está equipado con un enchufe con conexión a tierra. El enchufe debe insertarse en un tomacorriente que esté correctamente instalado y conectado a tierra.

El uso inadecuado del enchufe con conexión a tierra puede resultar en un riesgo de descarga eléctrica. Consulte a un electricista calificado o a una persona de servicio si no entiende completamente las instrucciones de conexión a tierra o si tiene dudas sobre si el refrigerador está correctamente conectado a tierra.

SEGURIDAD DE LA UBICACIÓN

Este refrigerador está diseñado para ser utilizado en entornos domésticos y similares.

Haga la instalación conforme a las instrucciones del fabricante.

Este refrigerador no debe empotrarse ni empotrarse en un gabinete cerrado. Está diseñado para instalación independiente únicamente.

ADVERTENCIA - Mantenga las aberturas de ventilación del refrigerador libres de obstrucciones.

NO instale cerca de fuentes de calor, como radiadores, registros de calor, estufas, otros aparatos de cocina o bajo la luz solar directa.

NO almacene ni use gasolina ni ningún líquido inflamable dentro o cerca de este refrigerador.

SEGURIDAD DE USO Y CUIDADO

Refrigerante inflamable utilizado. Siga cuidadosamente las instrucciones de manejo. Riesgo de incendio o explosión debido a la perforación de la tubería de refrigerante.

Refrigerante inflamable utilizado. No utilice dispositivos mecánicos para descongelar el congelador. No perforo la tubería de refrigerante.

Este electrodoméstico no está diseñado para que lo usen personas (incluidos los niños) con capacidades físicas, sensoriales o mentales reducidas, o sin experiencia y conocimiento, a menos que una persona responsable de su seguridad les haya supervisado o instruido sobre el uso del electrodoméstico.

Mantenga la llave fuera del alcance de los niños.

Los niños deben ser supervisados para asegurarse de que NO jueguen con el aparato.

NO toque el interior del congelador con las manos mojadas. Esto podría resultar en congelación.

Limpie solo con un paño húmedo. Utilice un limpiador no inflamable.

SEGURIDAD PARA SERVICIO

Desconecte la alimentación eléctrica antes de realizar el mantenimiento.

Este equipo utiliza refrigerante inflamable y debe ser reparado únicamente por personal de servicio capacitado. NO perforo la tubería de refrigerante.

Remita todo el servicio a personal de servicio calificado. No repare ni reemplace ninguna pieza de este aparato a menos que se recomiende específicamente en este manual. El servicio es necesario cuando el electrodoméstico se ha dañado de alguna manera, como si el cable de alimentación o el enchufe están dañados, se ha derramado líquido o han caído objetos dentro del electrodoméstico, el electrodoméstico ha estado expuesto a la lluvia o la humedad, no funciona normalmente. o se ha descartado.

Si el cable de alimentación está dañado, debe ser reemplazado por el fabricante, su agente de servicio o una persona igualmente calificada para evitar riesgos.

Si alguna pieza del equipo está dañada, debe ser reemplazada por el fabricante, su agente de servicio o personas igualmente calificadas para evitar un peligro.

Reemplace todas las piezas y paneles antes de operar.

GUARDE ESTAS INSTRUCCIONES

ESTE APARATO ES SOLO PARA USO DOMÉSTICO

Advertencias de la Proposición 65 del Estado de California:



ADVERTENCIA: cáncer y daños reproductivos.

-www.P65Warnings.ca.gov

ELIMINACIÓN ADECUADA



ADVERTENCIA

Peligro de asfixia

Antes de desechar su viejo refrigerador:

Quite la puerta o la tapa para que los niños no puedan esconderse o quedar atrapados dentro de su viejo electrodoméstico.

Deje los estantes en su lugar para que los niños no puedan entrar fácilmente.

El incumplimiento de estas instrucciones puede provocar la muerte o daño cerebral.

IMPORTANTE: Gas inflamable y refrigerante utilizado. Es responsabilidad del consumidor cumplir con las reglamentaciones federales y locales al desechar este producto. Los refrigerantes deben ser evacuados por un técnico en refrigerantes autorizado y certificado por la EPA de acuerdo con los procedimientos establecidos.

REQUISITOS DE FUNCIONAMIENTO

REQUISITOS DE UBICACIÓN

ADVERTENCIA

Peligro de explosión e incendio

Mantenga los materiales y vapores inflamables, como la gasolina, lejos del aparato.

Si no lo hace, puede provocar la muerte, una explosión o un incendio.

Este refrigerador está diseñado para ser independiente únicamente y no debe estar empotrado ni dentro de un mueble.

Coloque su refrigerador sobre un piso nivelado y lo suficientemente fuerte para soportar el refrigerador cuando esté completamente cargado.

Coloque su refrigerador donde haya acceso a la conexión eléctrica requerida. Consulte "Requisitos eléctricos".

Ubique el refrigerador lejos de la luz solar directa y fuentes de calor, como estufas, calentadores o radiadores.

NOTAS:

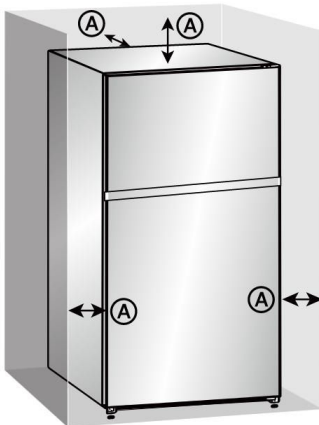
La luz solar directa puede afectar el revestimiento acrílico y las fuentes de calor pueden aumentar el consumo eléctrico.

Las temperaturas extremadamente frías también pueden impedir que el refrigerador funcione correctamente.

Evite ubicar el refrigerador en áreas con mucha humedad.

Se requiere una circulación de aire adecuada para una operación eficiente. Mantenga el espacio libre recomendado para garantizar una circulación de aire adecuada.

ESPACIO RECOMENDADO



3" (7,6 cm)

Espacio libre en la parte superior, posterior y a ambos lados del refrigerador

NOTA: Si coloca el refrigerador junto a una pared fija, deje suficiente espacio en el lado de las bisagras para que la puerta se abra.

REQUISITOS ELÉCTRICOS

ADVERTENCIA

Peligro de descarga eléctrica

Conéctelo a un tomacorriente de 3 clavijas con conexión a tierra.

No quite la clavija de conexión a tierra del enchufe del cable de alimentación.

No use un adaptador.

No utilice un cable de extensión.

Si no lo hace, puede provocar la muerte, un incendio o una descarga eléctrica.

IMPORTANTE: Se requiere un suministro eléctrico de 115 voltios, 60 Hz, solo CA, con fusible de 15 amperios y conectado a tierra.

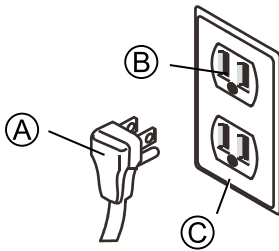
Utilice un tomacorriente que acepte la clavija de conexión a tierra.

NOTA: El cable de alimentación está equipado con un enchufe de 3 clavijas (conexión a tierra) que se acopla a un tomacorriente estándar de 3 clavijas (conexión a tierra).

Recomendamos que el refrigerador se conecte a un circuito eléctrico que sirva ÚNICAMENTE a este electrodoméstico.

Utilice un tomacorriente que no se pueda apagar con un interruptor o una cadena de tracción.

No utilice un cable de extensión.

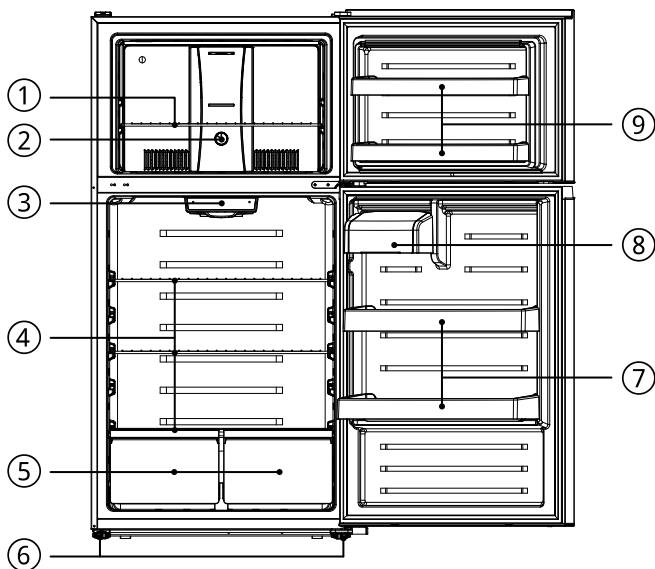


(A) enchufe de 3 clavijas

(B) receptáculo de 3 clavijas

(C) Tapa de la caja del receptáculo

PARTES Y CARACTERISTICAS



- ① Estantes (1 rejilla de metal)
- ② Control del congelador
- ③ Control del refrigerador
- ④ Estantes (1 rejilla de metal estante de vidrio)
- ⑤ Cajones para verduras (2)
- ⑥ Patas niveladoras (parte delantera inferior 2) Ruedas (2 inferiores delanteras, 2 inferiores traseras)
- ⑦ Compartimentos en la puerta (2)
- ⑧ Contenedor de lácteos
- ⑨ Compartimentos en la puerta

ESPECIFICACIONES	PRN20050AW PRN20060AS PRN20070AB
DIMENSIONES (WxDxH)	32.7*30.75*66.38 (830*781*1686cm)
PESO	176lbs.(80kg)
REQUERIMIENTOS ELECTRICOS	115 V ~ 60 Hz
LONGITUD DEL CABLE DE PODER	66.9" (170 cm)

INSTALACIÓN DESEMPAQUE

ADVERTENCIA

Riesgo de incendio o explosión

No perforo la tubería de refrigerante.

Siga cuidadosamente las instrucciones de manejo.

Este equipo utiliza refrigerante inflamable.

Si no lo hace, puede provocar la muerte, una explosión o un incendio.

IMPORTANTE: Retire TODOS los materiales de embalaje exteriores e interiores, incluido el embalaje de espuma entre el condensador exterior y el gabinete del refrigerador.

MOVER A LA UBICACIÓN FINAL

ADVERTENCIA

Riesgo de incendio o explosión

No perforo la tubería de refrigerante.

Siga cuidadosamente las instrucciones de manejo.

Este equipo utiliza refrigerante inflamable.

Si no lo hace, puede provocar la muerte, una explosión o un incendio.

IMPORTANTE

Si el refrigerador ha estado en posición horizontal durante algún tiempo, espere 24 horas para permitir que el refrigerante se asiente antes de enchufar el refrigerador.

Cuando mueva el refrigerador, NO lo incline más de 45° desde la posición vertical.

NOTA: Inclinarse el refrigerador más de 45° podría dañar el compresor y el sistema sellado.

NIVELACION DEL REFRIGERADOR

IMPORTANTE: Nivele el refrigerador para que funcione correctamente y para evitar problemas de enfriamiento, escarcha y humedad que pueden ocurrir cuando la puerta no cierra correctamente.

1. Mueva el refrigerador a su ubicación final. Consulte “Mover a la ubicación final”.
2. Coloque un nivel de carpintero en la parte superior del gabinete del refrigerador.
3. Ajuste las dos patas niveladoras (una pata ubicada en cada una de las dos esquinas delanteras del gabinete del refrigerador) hasta que el refrigerador esté nivelado.

NOTA: Las patas niveladoras son más fáciles de ajustar si alguien empuja contra la parte superior delantera del refrigerador para quitar algo de peso de las patas.



Para subir: gire las patas niveladoras en el sentido de las agujas del reloj.

Para bajar: gire las patas niveladoras en sentido contrario a las agujas del reloj.

INVERTIR EL GIRO DE LA PUERTA

Lista de herramientas a proporcionar por el usuario			
	Destornillador Phillips		Espátula destornillador de cabeza plana
	5/16" zócalo y trinquete		Cinta adhesiva

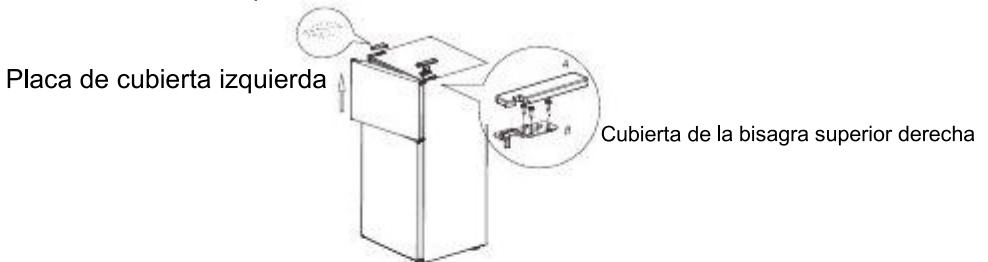
Piezas incluidas con el kit de bisagras			
	Bisagra superior izquierda (1)		Cubierta de la bisagra izquierda
	Bloque autoblocante puerta superior (1)		Tope de apertura de puerta izquierda
			Pegatina

1. Desenchufe su refrigerador y retire toda la comida de los estantes de la puerta.

Retire todos los alimentos del revestimiento interior de la puerta. Pegue la puerta del congelador en su lugar con cinta adhesiva

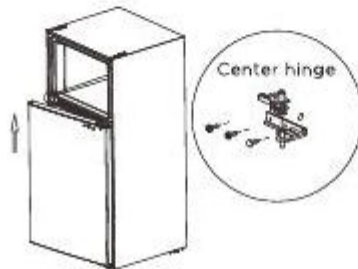


2. Retire la placa de cubierta izquierda y la cubierta de la bisagra superior superior derecha, luego desatornille los tornillos y retire la bisagra superior derecha. Guarde los tornillos para reutilizarlos.



3. Levante la puerta del congelador y sepárela de su refrigerador.

4. Desatornille los tornillos de la bisagra central, retire la bisagra y luego levante la puerta del refrigerador y sepárela de su refrigerador. Guarde los tornillos para reutilizarlos.



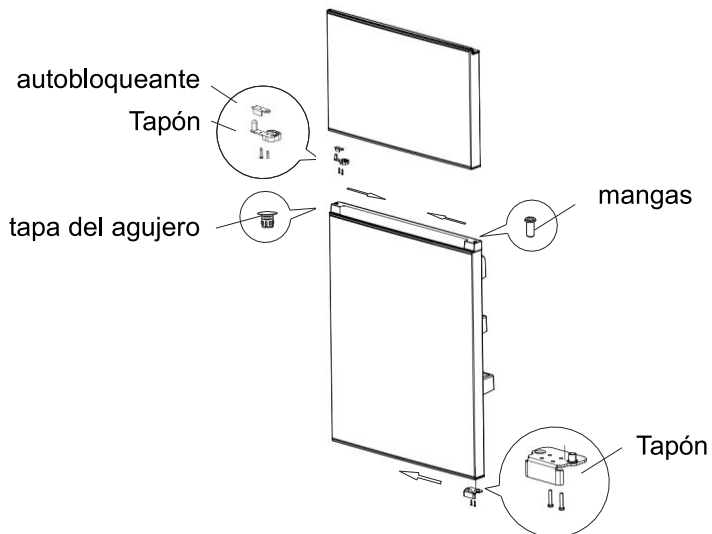
5. Quite los tornillos de la bisagra inferior, luego quite la bisagra inferior del lado inferior derecho del refrigerador.

6. Desatornille el eje de la bisagra del lado derecho de la bisagra inferior y muévalo hacia el lado izquierdo, luego fije la bisagra inferior al lado inferior izquierdo del refrigerador usando los tornillos que quitó anteriormente.



7. Retire los manguitos de la parte superior derecha de las puertas y la tapa del orificio de la parte superior izquierda de las puertas y móntelos en los lados opuestos.

8. Retire el tope de la puerta del refrigerador e instálelo en el otro lado de la puerta. Quite el bloque autobloqueante y el tope de la puerta del congelador, guárdelos para reutilizarlos. Saque el bloque autobloqueante izquierdo y el tope de la bolsa de accesorios en el refrigerador e instale a la izquierda de la puerta.

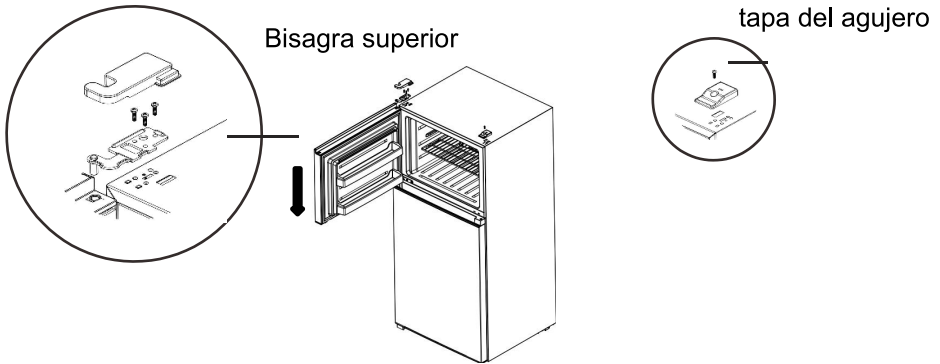


9. Coloque la bisagra inferior de la puerta del refrigerador verticalmente, saque la bisagra central del otro lado de la bolsa de accesorios y luego monte la bisagra central.

Fije la bisagra central izquierda



10. Coloque la puerta del congelador sobre la bisagra central verticalmente, luego saque la bisagra superior y la cubierta del otro lado de la bolsa de accesorios, monte la bisagra superior, la cubierta de la bisagra y la cubierta del orificio.



(La imagen de arriba es solo para referencia. La configuración real dependerá del producto físico).

INSTRUCCIONES DE INSTALACIÓN DE LA MÁQUINA DE HIELO (OPCIONAL)

El refrigerador está listo para la instalación de la fábrica de hielo, si necesita una fábrica de hielo, El kit de máquina de hielo opcional modelo "FDI101S-8M" está disponible en su distribuidor.

Herramientas necesarias:

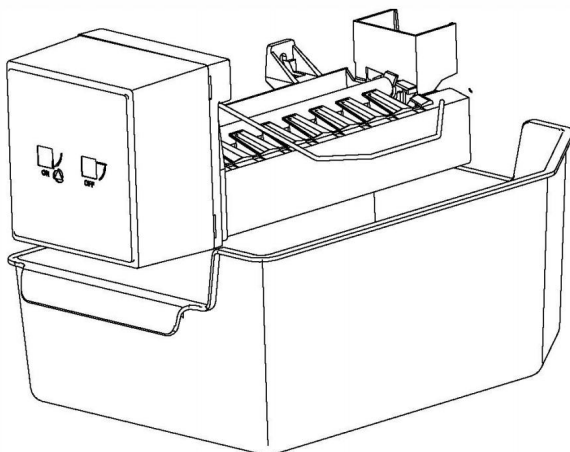
- Línea de suministro de cobre de 1/4" con válvula de cierre
- Casquillo y tuerca de compresión de latón de 1/4"
- Presión de agua de entrada mínima/máxima, 138/827 kPa (20/120 PSIG).

Conecte únicamente al suministro de agua potable.

La tubería de cobre y la válvula de cierre están disponibles en un kit de su ferretería local o tienda de suministros de plomería. Enrolle suficiente tubería en la parte posterior de la unidad para permitir el movimiento para la limpieza.

ADVERTENCIA

Desenchufe el refrigerador. Para eliminar el peligro de descarga eléctrica durante la instalación, debe desenchufar el refrigerador de su toma de corriente.



Nota

- Cuando la fábrica de hielo vierte hielo en la caja de hielo, cualquier sonido es parte del funcionamiento normal.
- Si no se dispensa hielo durante un largo período de tiempo, es posible que se acumule en el depósito de hielo. Si esto ocurre, retire todo el hielo y vacíe el depósito.
- En caso de ausencia prolongada y uso del generador de ruido, cierre la válvula de agua para evitar fugas. Se recomienda desechar las primeras cargas de hielo para garantizar la máxima calidad del hielo. No almacene latas o recipientes que reventarán cuando se congelen.

PRECAUCIÓN

No permita que sus hijos toquen la máquina de hielo. Esto podría causar lesiones.

ANTES DE USAR

PERIODO DE ESPERA

Antes de enchufar el refrigerador en un tomacorriente de 3 clavijas con conexión a tierra, déjelo en posición vertical durante aproximadamente 2 horas.

NOTA: Esto reduce la posibilidad de un mal funcionamiento en el sistema de enfriamiento debido a un manejo inadecuado durante el transporte.

LIMPIEZA

1. Limpie el interior del refrigerador con un paño suave humedecido con una solución de bicarbonato de sodio (2 cucharadas de bicarbonato de sodio mezclado con 1 litro de agua tibia).

2. Usando un paño suave, seque completamente todas las superficies

USO DEL REFRIGERADOR GENERAL

La vida de almacenamiento de los alimentos congelados varía y no se debe exceder el tiempo de almacenamiento recomendado.

ADVERTENCIA

Peligro de descarga eléctrica

Conéctelo a un tomacorriente de 3 clavijas con conexión a tierra.

No quite la clavija de conexión a tierra del enchufe del cable de alimentación.

No use un adaptador.

No utilice un cable de extensión.

Si no lo hace, puede provocar la muerte, un incendio o una descarga eléctrica.

1. Enchufe su refrigerador. Espere 30 minutos y luego abra la puerta del refrigerador para determinar si el refrigerador funciona correctamente.
2. Coloque los alimentos congelados en el refrigerador lo más rápido posible después de comprarlos. Si hay instrucciones en el paquete, siga cuidadosamente estas instrucciones con respecto a los tiempos de almacenamiento.

CONSEJOS PARA AHORRAR ENERGÍA

Permita que los alimentos calientes se enfríen a temperatura ambiente antes de colocarlos en el refrigerador. Los alimentos que se congelan muy lentamente pueden perder calidad o echarse a perder.

Sobrecargar el refrigerador obliga al compresor a funcionar por más tiempo.

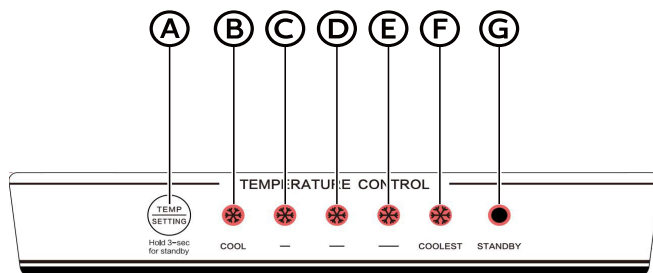
Envuelva los alimentos correctamente y seque los recipientes antes de colocarlos en el refrigerador. Esto reduce la acumulación de escarcha dentro del refrigerador.

No cubra los estantes de almacenamiento del refrigerador con papel de aluminio, papel encerado o toallas de papel. Los revestimientos interfieren con la circulación del aire frío, lo que hace que el refrigerador sea menos eficiente.

Organice y etiquete los alimentos para reducir las aperturas de puertas y las búsquedas prolongadas. Saque tantos elementos como sea necesario a la vez y luego cierre la puerta lo antes posible.

NO agregue una gran cantidad de alimentos descongelados al refrigerador al mismo tiempo. Esto reducirá la eficiencia de enfriamiento del refrigerador.

CONTROLS



- Ⓐ botón de configuración
- Ⓑ Indicador LED 1 FRÍO
- Ⓒ Indicador LED 2
- Ⓓ Indicador LED 3
- Ⓔ Indicador LED 4
- Ⓕ LED 5 Indicador MÁS FRÍO
- Ⓖ LED 6 Modo de espera

PANTALLA

Una vez que se enciende inicialmente, la pantalla (incluida la luz de la tecla) se muestra en pantalla completa durante 3 segundos y luego la configuración predeterminada del refrigerador es media y el indicador LED 3 se iluminará.

Pantalla de funcionamiento normal

En caso de falla, la luz LED correspondiente muestra en combinación el código de falla (en la pantalla de ciclo).

En caso de que no haya fallas, se mostrará la posición de funcionamiento real del refrigerador.

AJUSTE DE TEMPERATURA

Cada vez que se presiona una vez el ajuste de temperatura, el ajuste de temperatura cambia una vez.

Después de que se haya completado el ajuste de la temperatura, el refrigerador funcionará de acuerdo con el valor establecido después de 25 s.

De izquierda a derecha, la temperatura es más baja.

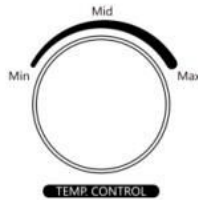
El orden de los ajustes de frialdad es el siguiente:



MODO DE ESPERA

Para ingresar al modo de espera, presione la configuración durante 3 segundos cuando el refrigerador esté funcionando. En el modo de espera, el compresor no funcionará y la luz indicadora de espera estará iluminada. Para reanudar el funcionamiento normal, simplemente presione la configuración momentáneamente.

AJUSTE DE LA TEMPERATURA DEL CONGELADOR



Gire los controles para ajustar la temperatura del congelador.

Coloque los alimentos congelados en el congelador lo más rápido posible después de comprarlos. Preste atención al tiempo de almacenamiento en las instrucciones del empaque de alimentos. La vida de almacenamiento de los alimentos congelados varía y no se debe exceder el tiempo de almacenamiento recomendado.

CUIDADO DEL REFRIGERADOR

Su refrigerador está diseñado para uso durante todo el año y requiere una limpieza y un mantenimiento mínimos. Para mantener su refrigerador funcionando de manera eficiente y libre de olores, le recomendamos que lo limpie con regularidad.

LIMPIEZA



ADVERTENCIA

Peligro de descarga eléctrica

Desenchufe su electrodoméstico o desconecte la energía antes de limpiarlo.

El no hacerlo puede resultar en la muerte, descarga eléctrica o lesiones personales.



ADVERTENCIA

Peligro de explosión

Utilice un limpiador no inflamable.

Si no lo hace, puede provocar la muerte, una explosión o un incendio.

IMPORTANTE: Para evitar daños al acabado, NO use gasolina, bencina, diluyentes u otros solventes, y NO use limpiadores abrasivos.

1. Desenchufe el refrigerador del tomacorriente.
2. Retire todos los alimentos.
3. Retire y lave los estantes con una solución de detergente suave.
4. Lave el interior del refrigerador con un paño suave humedecido con una solución de bicarbonato de sodio (2 cucharadas de bicarbonato de sodio mezclado con 1 litro de agua tibia).
5. Limpie la junta alrededor de la puerta. Limpie suavemente la junta con un paño suave humedecido con una solución de detergente suave.

NOTA: Las juntas deben mantenerse limpias y flexibles para asegurar un sellado adecuado.

6. Usando un paño suave, seque completamente todas las superficies.
7. Enchufe o vuelva a conectar la alimentación

MUDANZAS

IMPORTANTE: Cuando mueva su refrigerador, NO lo incline más de 45° desde la posición vertical.

1. Desenchufe su refrigerador del tomacorriente de pared.
2. Retire todos los alimentos.
3. Asegure con cinta adhesiva todos los artículos sueltos dentro de su refrigerador.
4. Cierre la puerta con cinta adhesiva.

ALMACENAMIENTO

IMPORTANTE: No guarde el refrigerador en un lugar accesible para los niños.

1. Desenchufe su refrigerador del tomacorriente.
2. Retire todos los alimentos.
3. Limpie el refrigerador.
4. Deje la puerta ligeramente abierta para evitar la posible formación de condensación, moho u olor.

SOLUCIÓN DE PROBLEMAS

IMPORTANTE: NO intente reparar su refrigerador usted mismo. Hacerlo invalida la garantía.

GENERAL

PROBLEMA	CAUSA	SOLUCION
El refrigerador no funciona	El refrigerador está desenchufado. El fusible del circuito está quemado o el disyuntor está disparado, Fallo de alimentación	Asegúrese de que el cable de alimentación del refrigerador esté completamente insertado en el tomacorriente. Verifique la caja de fusibles / disyuntores de la casa y reemplace el fusible o reinicie el disyuntor Si ocurre una falla de energía, el refrigerador se apaga. Espere hasta que se restablezca la energía.
La puerta del refrigerador no cierra completamente	Los paquetes de alimentos interfieren con la puerta. Las juntas de la puerta están sucias. El refrigerador puede no estar nivelado.	Mueva o retire algunos alimentos. Limpie las juntas de la puerta. nivelar el refrigerador
La comida en el refrigerador no está fría.	La puerta se ha abierto con demasiada frecuencia o no se ha	Asegúrese de que la puerta esté bien cerrada.

	<p>cerrado correctamente. Recientemente se agregó una gran cantidad de alimentos. La puerta no está completamente cerrada.</p> <p>El refrigerador ha estado desconectado por un período de tiempo.</p> <p>El control de temperatura está demasiado caliente.</p>	<p>Deje que se enfríe la comida recién añadida y luego vuelva a comprobar.</p> <p>Verifique la junta de la puerta y la distribución de alimentos, y asegúrese de que la puerta cierre completamente.</p> <p>Espere 4 horas para que el refrigerador se enfríe por completo antes de agregar alimentos.</p> <p>Ajuste el control de temperatura a un ajuste más frío.</p>
El refrigerador hace ruidos o vibraciones inusuales	<p>Es posible que el refrigerador no esté nivelado.</p> <p>El gabinete del refrigerador está tocando una pared.</p> <p>Las partes metálicas sufren expansión y contracción.</p> <p>El refrigerante circula por todo el sistema.</p>	<p>Ajuste las patas niveladoras ubicadas en las esquinas delanteras del refrigerador hasta que el refrigerador esté nivelado.</p> <p>Aleje el refrigerador de la pared. Esto es normal</p> <p>Esto es normal.</p>
Se está acumulando humedad en el interior del refrigerador.	<p>La puerta se abrió con demasiada frecuencia o no se cerró correctamente.</p> <p>El refrigerador está ubicado en un área húmeda.</p> <p>El clima es cálido y húmedo.</p>	<p>Asegúrese de que la puerta cierre correctamente.</p> <p>Mueva el refrigerador a un lugar más seco.</p> <p>Esto es normal</p>
El compresor se enciende y se apaga con frecuencia	<p>La temperatura ambiente es más alta de lo normal.</p> <p>Recientemente se</p>	<p>Esto es normal.</p> <p>Deje tiempo para que se enfríen los alimentos almacenados</p>

	<p>agregó una gran cantidad de alimentos. La puerta no está completamente cerrada o se abrió con demasiada frecuencia. El refrigerador ha estado desconectado por un período de tiempo. El control de temperatura no se configuró correctamente.</p>	<p>recientemente y luego verifique nuevamente. Revise la junta de la puerta y la distribución de alimentos para asegurarse de que la puerta cierre completamente. Espere 4 horas para que el refrigerador se enfríe por completo antes de agregar alimentos. Ajuste el control de temperatura a la configuración correcta.</p>
El refrigerador tiene un olor.	<p>El refrigerador necesita limpieza. La comida mal envuelta está dando un olor.</p>	<p>Limpia el refrigerador. Consulte la sección "Limpieza". Envuelva bien los alimentos antes de guardarlos en el refrigerador.</p>

ERROR CODES

Código de Error	Descripción
Indicadores LED1 y LED2	Sensor de temperatura del circuito del refrigerador
Indicadores LED1 y LED3	Sensor de descongelación del congelador
Indicadores LED1 y LED4	Sensor de temperatura ambiental

www.premiumlevella.com